

03B	CCO 1603/007	TS		18-11-99		
03A	CCO 1603/003	CJK	SP	6/10/99		
02A	CCO 1603/001 & 002	CJK		24/09/99		
01A	NEW PA FOR 400-470 MHZ	CJK	JJ	10/06/99		
REV/ISS	AMENDMENTS	DRAWN	CHKD	D.O.	APVD	DATE

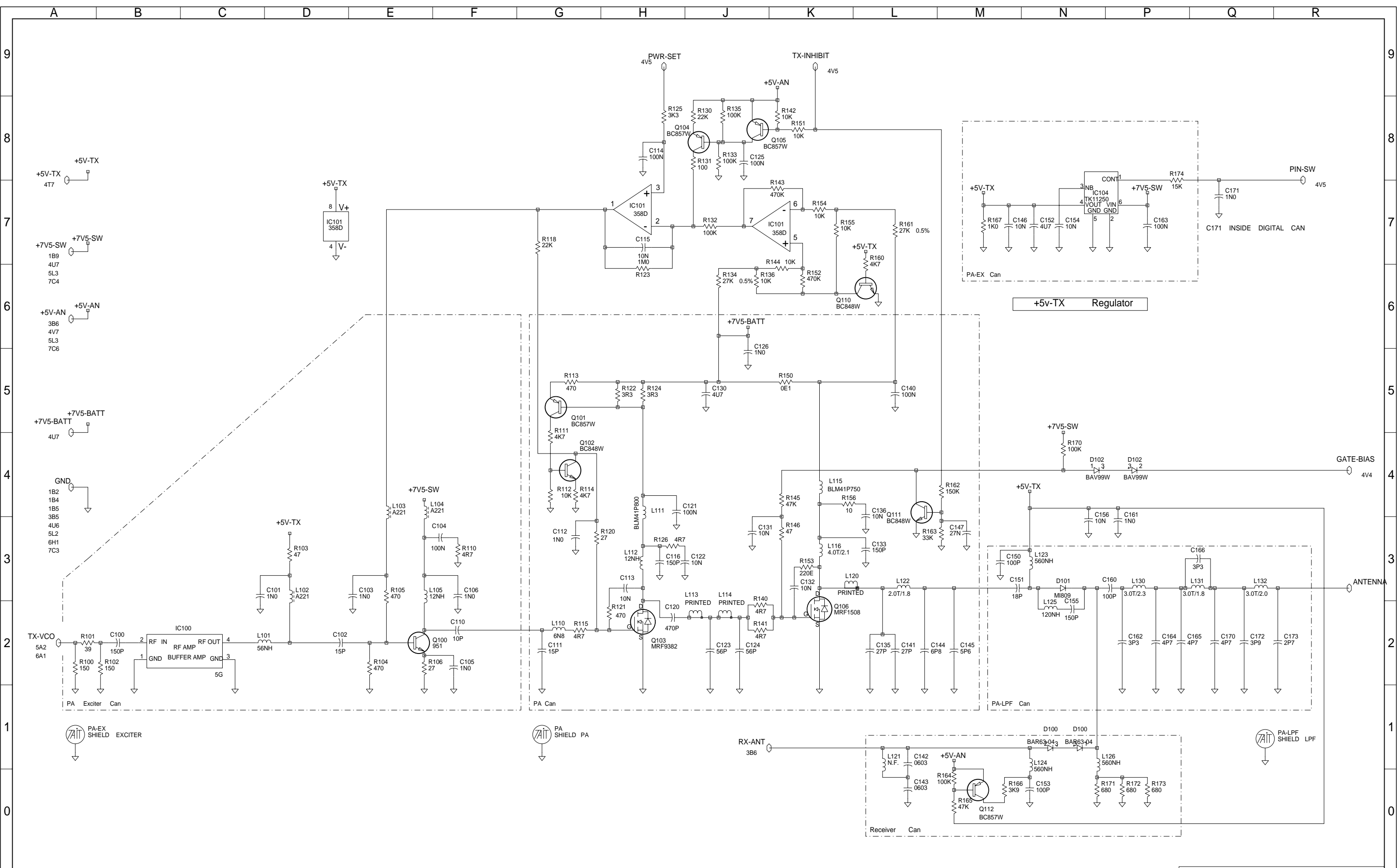


© TAIT ELECTRONICS

ORCA : 400-470MHZ SYSTEM DIAGRAM

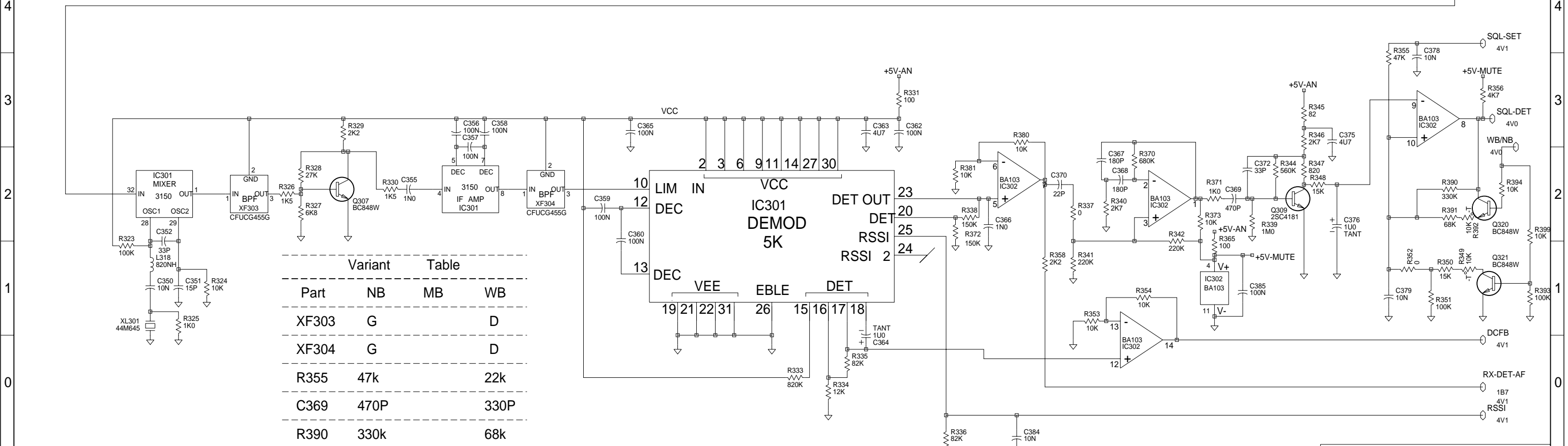
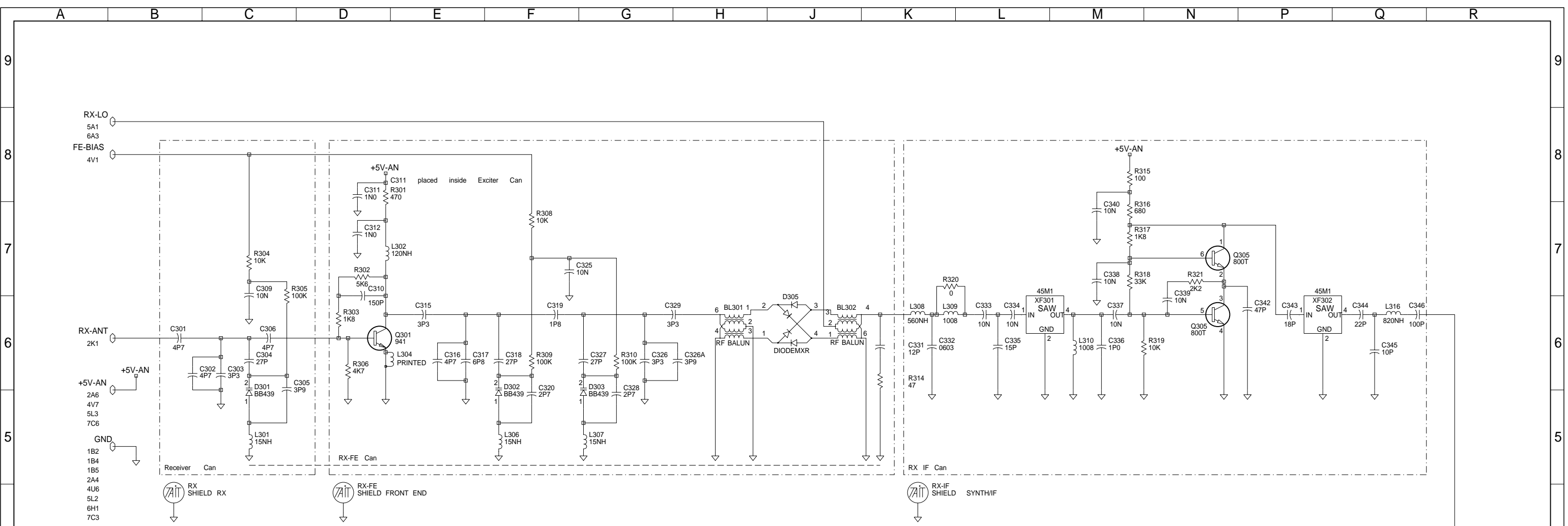
IPN: 220-01603-03 ISSUE: B ID: 2.S.C. 1

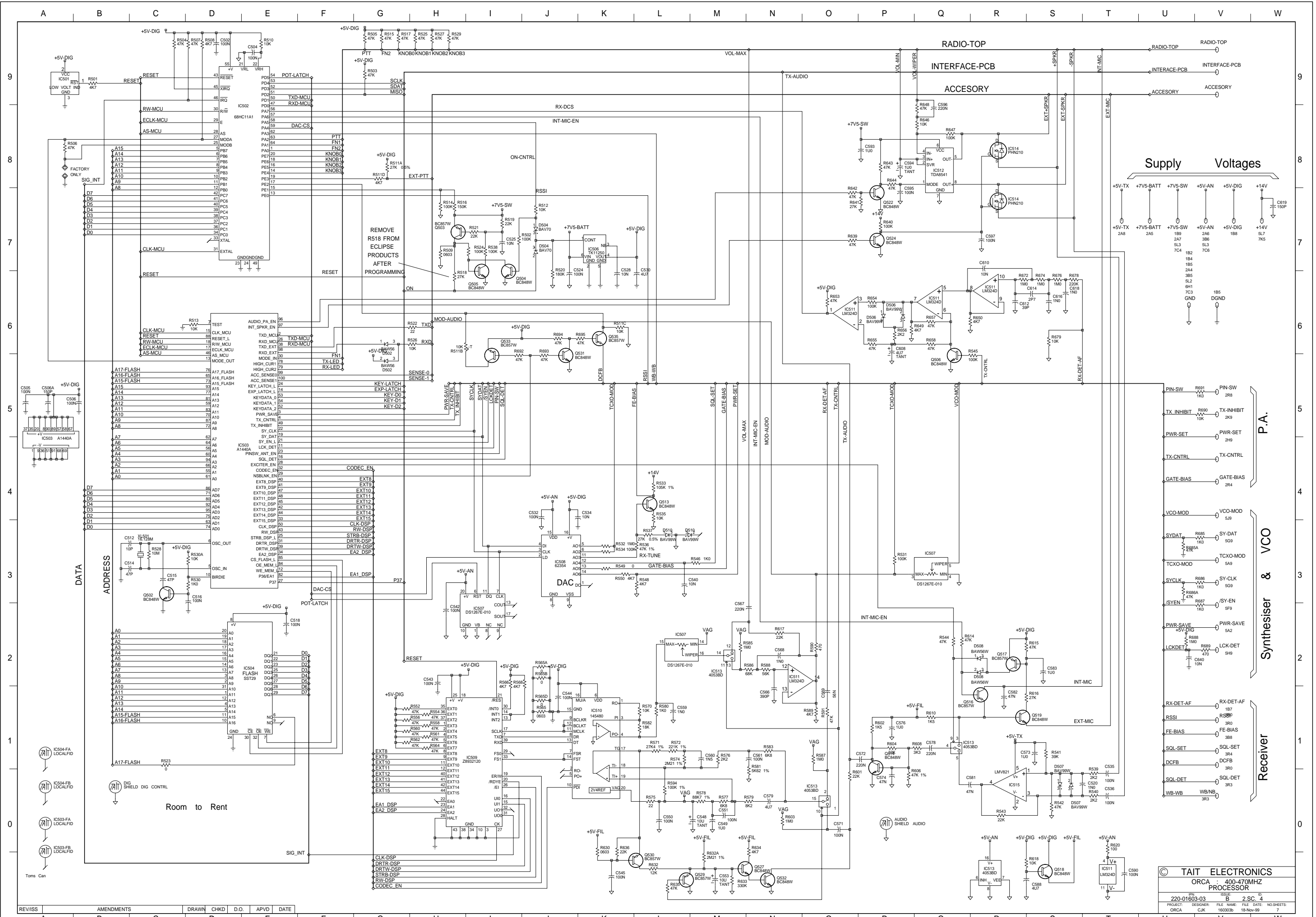
PROJECT: ORCA DESIGNER: CJK FILE NAME: 160303b FILE DATE: 18-Nov-99 NO.SHEETS: 7



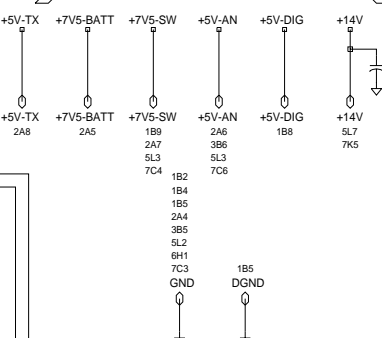
© TAIT ELECTRONICS
 ORCA : 400-470MHZ
 POWER AMPLIFIER
 IPN: 220-01603-03 ISSUE: B ID: 2.S.C. 2
 PROJECT: ORCA DESIGNER: CJK FILE NAME: 160303b FILE DATE: 18-Nov-99 NO.SHEETS: 7

REV/ISS	AMENDMENTS	DRAWN	CHKD	D.O.	APVD	DATE
A						





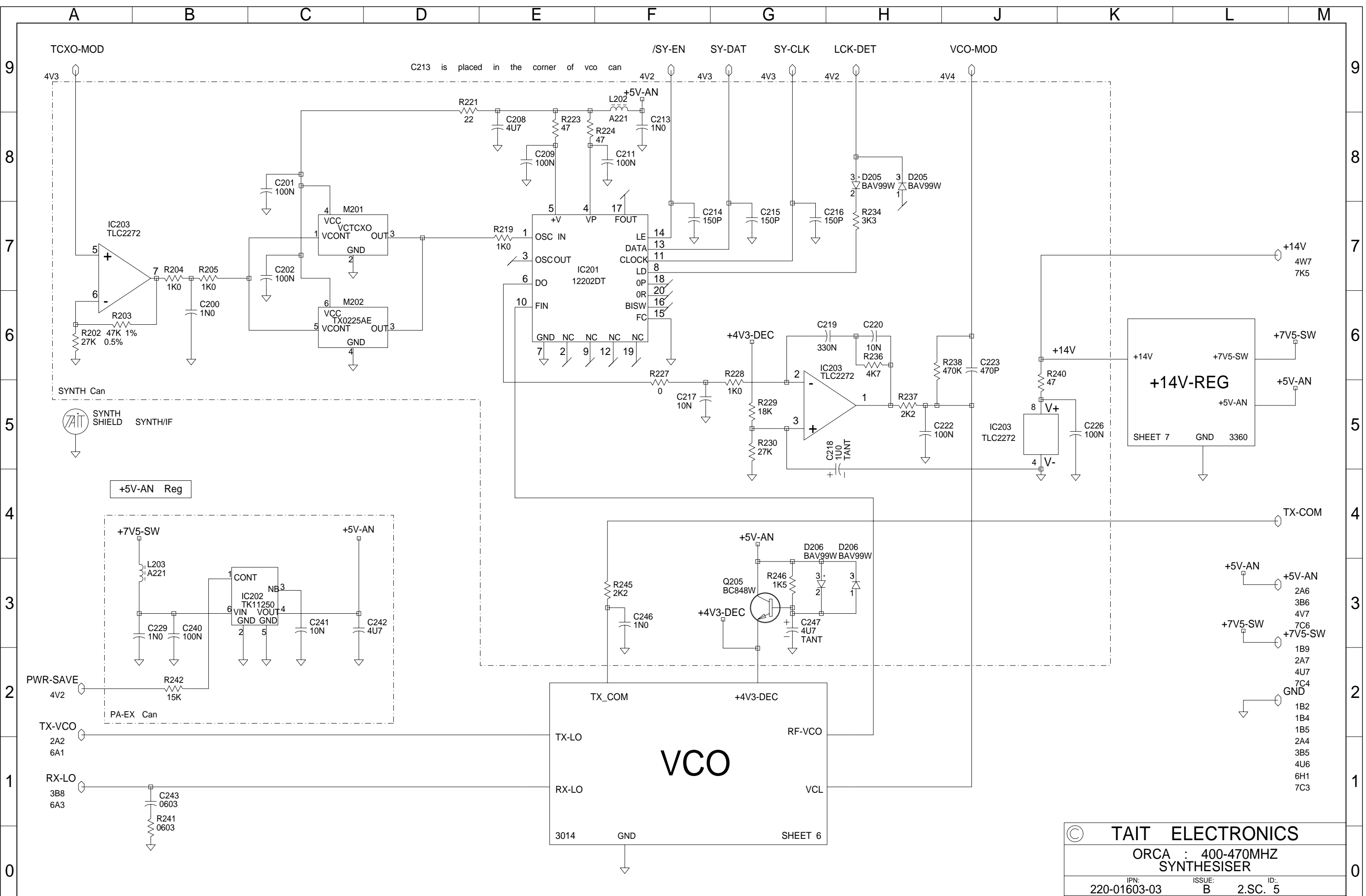
Supply Voltages



- P.A.
 - PIN-SW 28R
 - TX-INHIBIT 28R
 - PWR-SET 28R
 - TX-CNTRL 28R
 - GATE-BIAS 28R
- Synthesiser & VCO
 - VCO-MOD 510
 - SY-DAT 509
 - TCXO-MOD 549
 - SY-CLK 509
 - SY-EN 509
 - PWR-SAVE 542
 - LCK-DET 549
- Receiver
 - RX-DET-AF 38R
 - RSSI 38R
 - FE-BIAS 38R
 - SOL-SET 38R
 - DCFB 38R
 - SOL-DET 38R
 - WB-INB 38R

REV/ISS	A	B	C	D	E	F	G	H	I	J	K	L	M	N	O	P	Q	R	S	T	U	V	W
AMENDMENTS																							
DRAWN																							
CHKD																							
D.O.																							
APVD																							
DATE																							

© TAIT ELECTRONICS
 ORCA : 400-470MHZ
 PROCESSOR
 220-01603-03 B 2-SC 4
 PROJECT DESIGNED FILE NAME FILE DATE NO SHEETS
 ORCA CJK 160303b 18-Nov-99 7



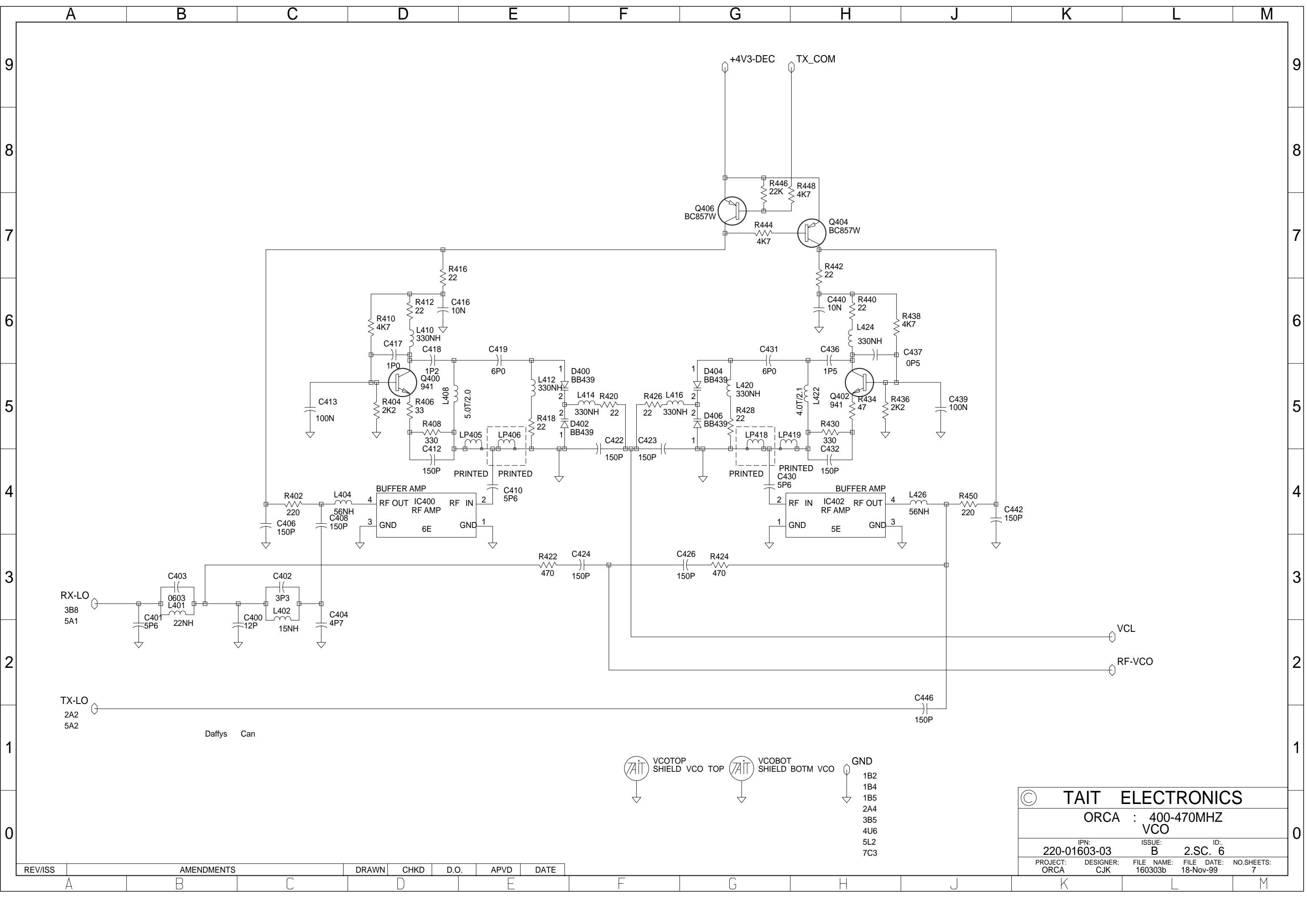
C213 is placed in the corner of vco can

+14V-REG
SHEET 7
GND 3360

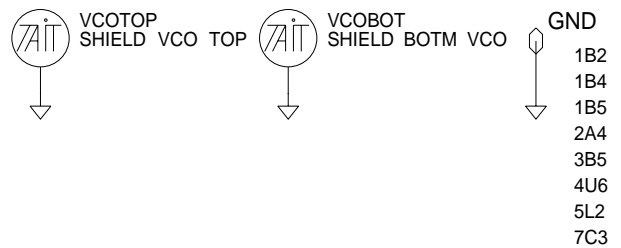
VCO
3014
GND
SHEET 6

© TAIT ELECTRONICS				
ORCA : 400-470MHZ SYNTHESISER				
IPN:	ISSUE:	ID:		
220-01603-03	B	2.SC. 5		
PROJECT:	DESIGNER:	FILE NAME:	FILE DATE:	NO.SHEETS:
ORCA	CJK	160303b	18-Nov-99	7

REV/ISS	AMENDMENTS	DRAWN	CHKD	D.O.	APVD	DATE
---------	------------	-------	------	------	------	------

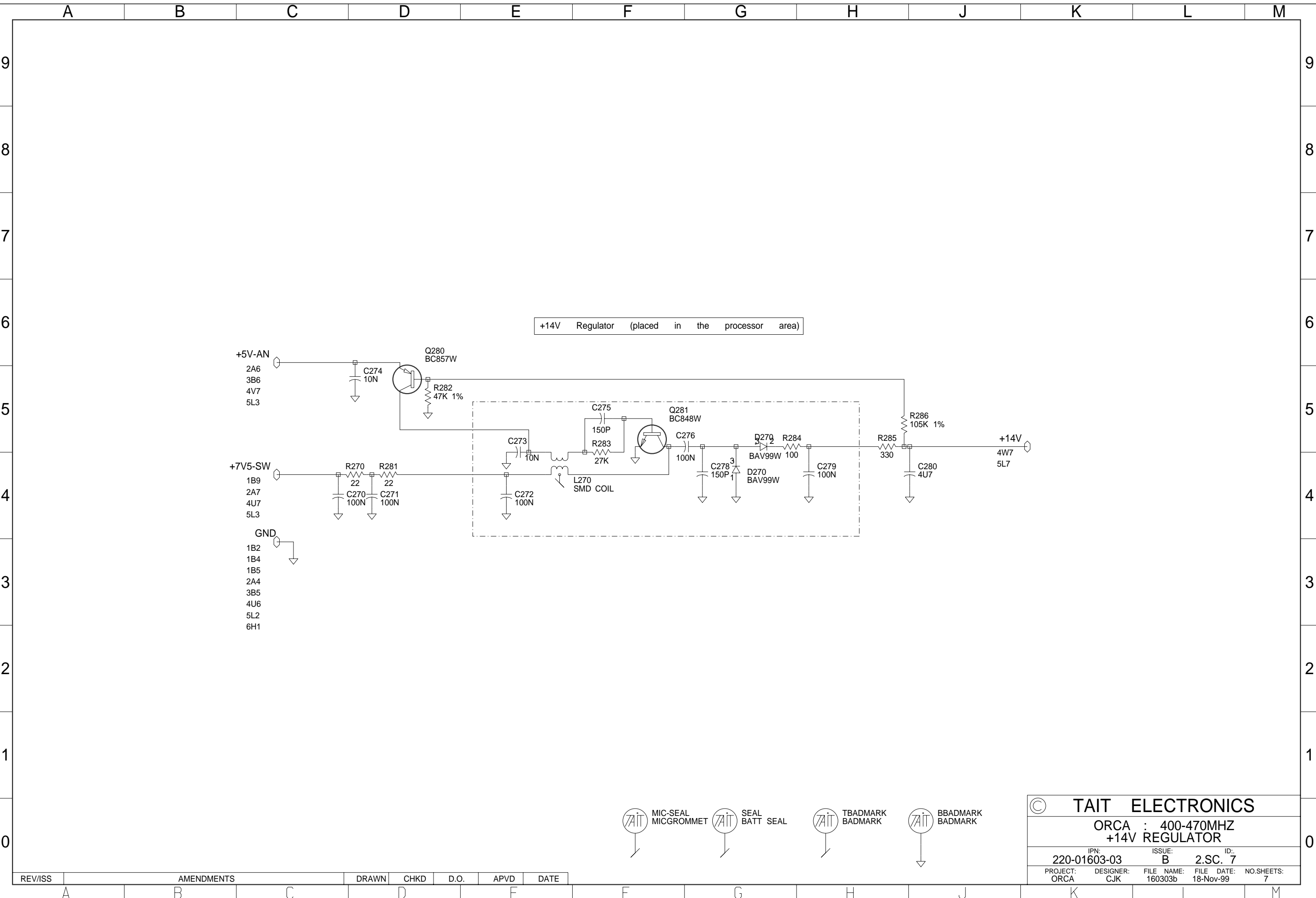


Daffys Can

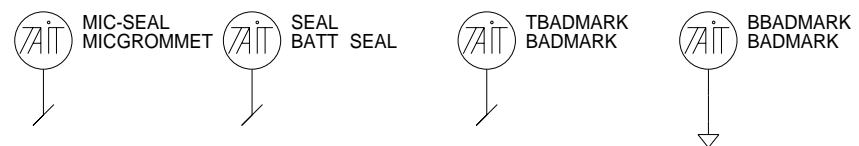
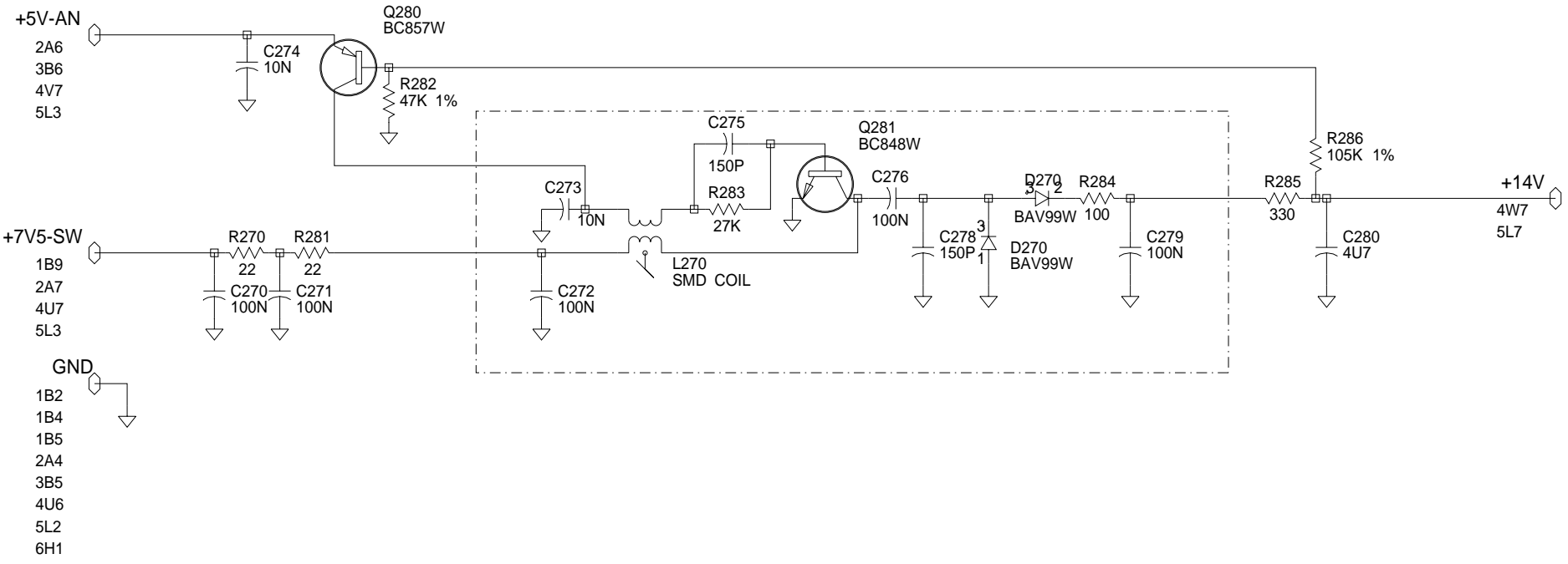


© TAIT ELECTRONICS				
ORCA : 400-470MHZ VCO				
IPN:	ISSUE:	ID:		
220-01603-03	B	2.SC. 6		
PROJECT:	DESIGNER:	FILE NAME:	FILE DATE:	NO.SHEETS:
ORCA	CJK	160303b	18-Nov-99	7

REV/ISS	AMENDMENTS	DRAWN	CHKD	D.O.	APVD	DATE

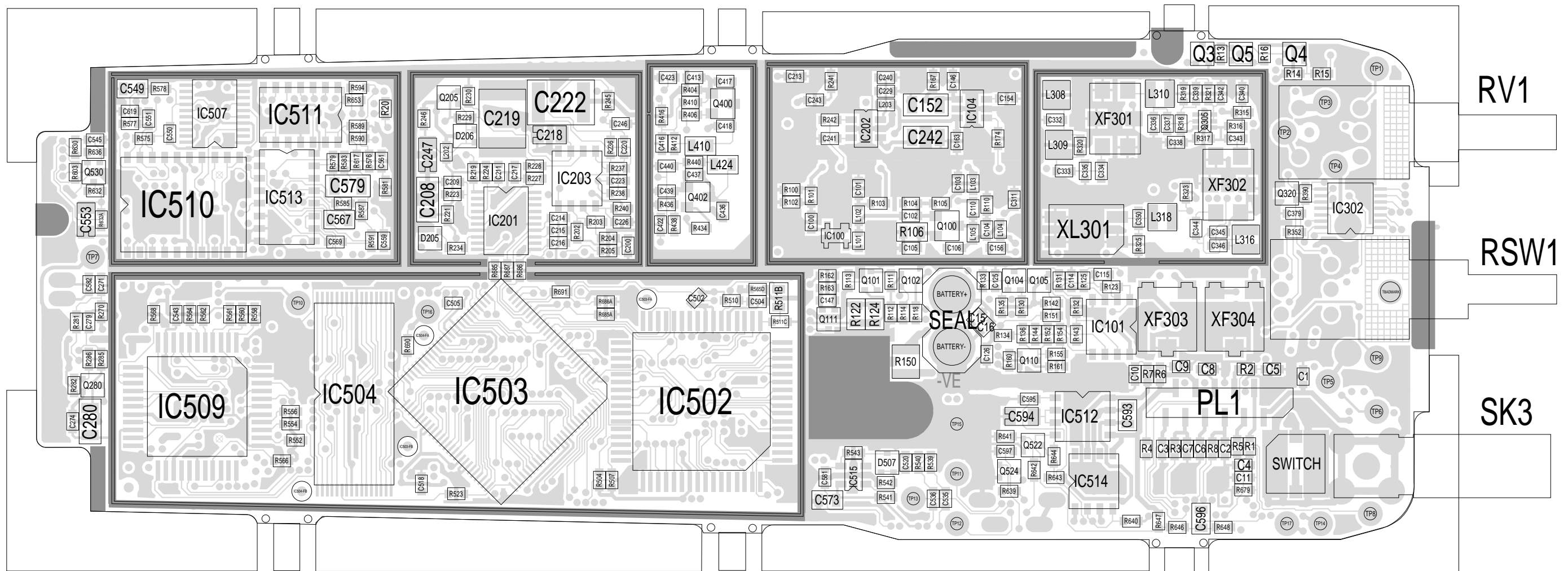


+14V Regulator (placed in the processor area)

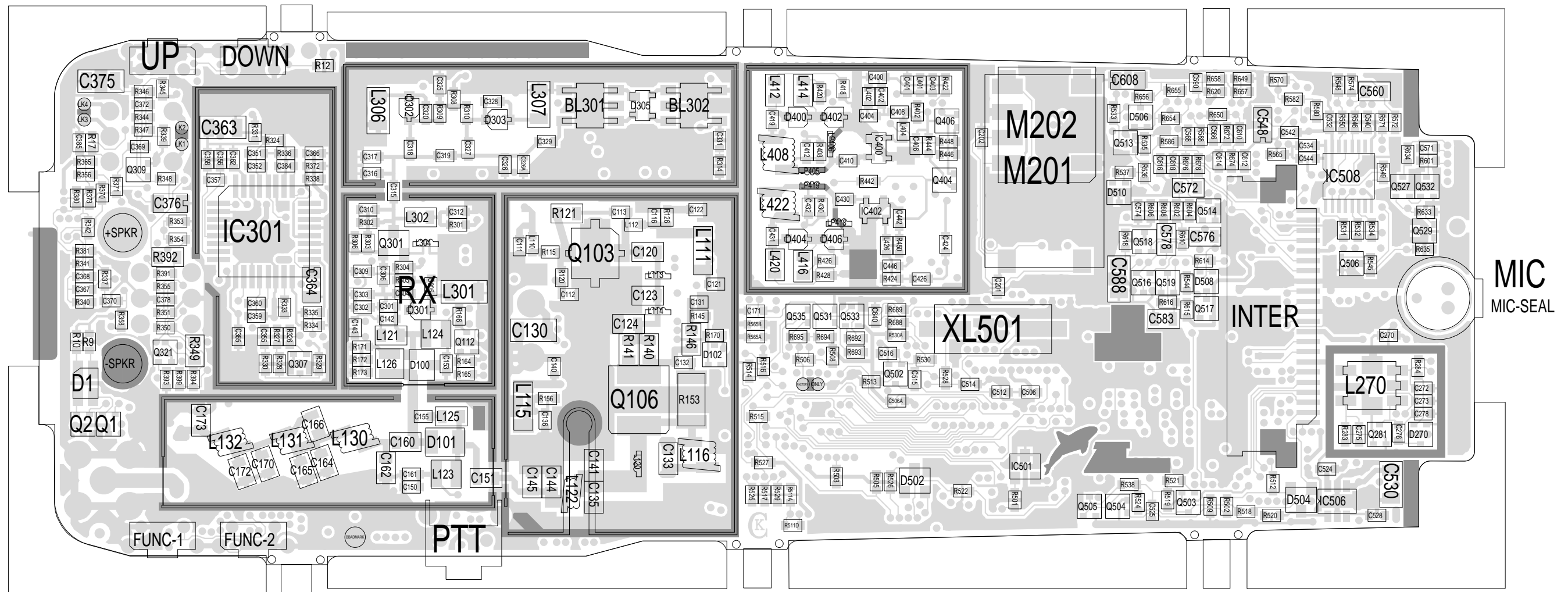


© TAIT ELECTRONICS				
ORCA : 400-470MHZ +14V REGULATOR				
IPN:	ISSUE:	ID:		
220-01603-03	B	2.SC. 7		
PROJECT:	DESIGNER:	FILE NAME:	FILE DATE:	NO.SHEETS:
ORCA	CJK	160303b	18-Nov-99	7

REV/ISS	AMENDMENTS	DRAWN	CHKD	D.O.	APVD	DATE
---------	------------	-------	------	------	------	------



TAIT ELECTRONICS	IPN: 220-01603-03	ISS: -03	ID: 1.TA	DATE: 5 Oct 1999
ORCA UHF PCB LAYOUT - TOP SIDE				



TAIT ELECTRONICS IPN: 220-01603-03 ISS: -03 ID: 6.BA DATE: 5 Oct 1999
 ORCA UHF PCB LAYOUT - BOTTOM SIDE

Scale: 2.3:1 ; Rotation: 0 degrees